



Let us  
**Perfect**  
your water and

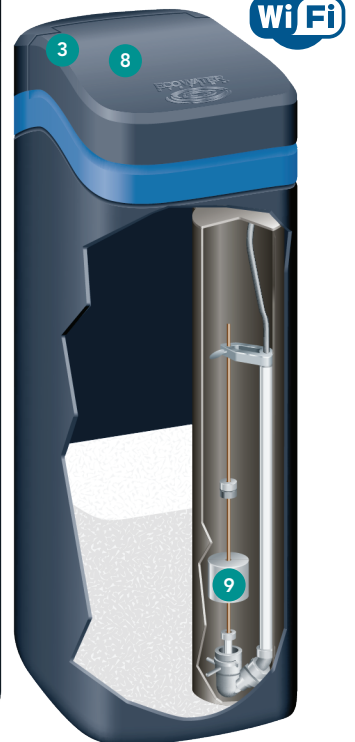
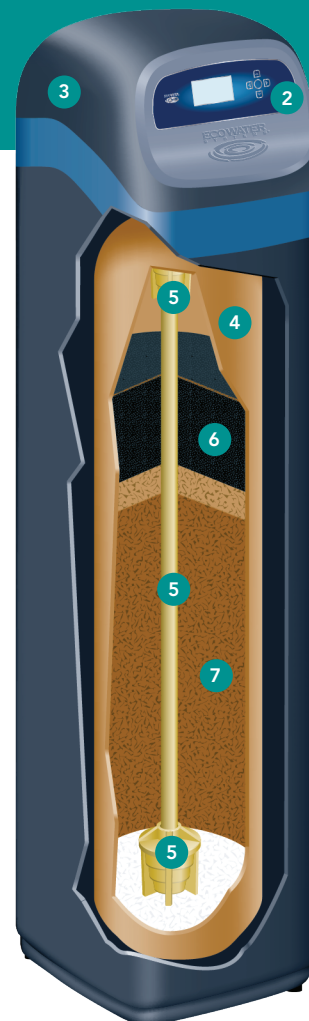
**Maximize**  
your peace of mind.

# ERR3702

ECOWATER 3700 SERIES WATER REFINING SYSTEM

## The Latest Technology for Water Treatment

- 1 HydroLink Plus® Wi-Fi and Smartphone App Monitoring**  
Wi-Fi enabled technology sends continuous and excessive water use, system error, low salt and service reminder alerts, including a water-to-drain sensing alert notifying you when an excessive amount of water is going to drain.
- Highly Efficient Counter-Current Regeneration Water Meter**  
Allowing for chemical feed dosing, flow switch operation and water use information.
- 2 Patented Electronics Digital Demand Module**  
Sophisticated, yet easy-to-use electronics capture historical usage patterns to predict future needs for precise regenerations.
- 3 High Quality Fit and Finish with Dampened Hinge Salt Cover**
- 4 Multi-Wrap Fiberglass Reinforced Resin Tank**  
Durable tank liner will not deteriorate, rust, or corrode.
- 5 Full One-Inch Riser with Self-Cleaning Distributors**  
One-inch diameter for increased flow rates, which ensures that household demand is adequately met. Distributors exhibit excellent flow rates and are cleaned automatically by counter-current water pressure.
- 6 Coconut-Shell Carbon with Lifetime Warranty**  
Filters the water throughout the home without compromising water flow. Reduces chlorine taste and odor, extends resin life and eliminates the need for a separate carbon filter and filter changes.
- 7 Patented Stratified Resin Bed with Lifetime Warranty**  
Layered mix of fine and standard size resin provides superior filtration without sacrificing flow rate capability.
- 8 Automatic Salt-Level Detection and Tank Light**  
Simply add salt, no salt level setting required. Our integrated sensor will detect the salt level and alert you when the salt level is low.
- 9 Positive-Action Brine Valve**  
Snap-together construction eliminates use of solvents that may contaminate water. Positive action helps prevent overfilling.

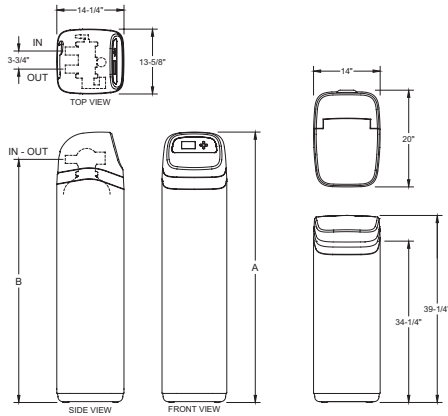


Designed, Engineered &  
Assembled in the U.S.A.

# ERR3702

## ECOWATER 3700 SERIES WATER REFINING SYSTEM

### DIMENSIONS



	ERR3702 R30	ERR3702 R50
Nominal Resin Tank Size	10" Diam. x 47"	12" Diam. x 54"
A	57"	63"
B	51 <sup>1</sup> / <sub>8</sub> "	57 <sup>1</sup> / <sub>8</sub> "

### SPECIFICATIONS

	ERR3702R30	ERR3702R50
Efficiency (gr./lb. @ min. lb. salt dose)	4530@2.8	4,400 @ 4.7
Hardness Capacity (gr. @ max. lb. salt dose)	26,157 @ 6.3	50,900 @ 19.5
Certified Flow Rate (gpm @ psi)	8 @ 6.3	10.9 @ 8.5
Intermittent Flow Rate (gpm @ psi) <sup>1</sup>	14.5 @ 15	16 @ 15
Intermittent Flow Rate (gpm @ psi) <sup>1</sup>	22.5 @ 30	24 @ 30
Stratified Resin Bed (lbs.)	47	79.5
Quartz Gravel Base (lbs.)	10	10
Maximum Water Hardness (grains per gallon)	60	95
Maximum Chlorine (ppm)	4	4
Approximate Water Used Each Regeneration (gal.) <sup>2</sup>	40	95
Salt Storage Capacity (lbs.)	300	300
Supply Water Pressure Limits (psi) <sup>3</sup>	20-125	20-125
Supply Water Temperature Limits (°F/°C)	40-100 / 4-38	40-100 / 4-38
Chlorine Taste and Odor Reduction (gallons at 1.0 ppm) <sup>4</sup>	1,820,000 <sup>5</sup>	1,820,000 <sup>5</sup>
Ambient Temperature Range (°F/°C)	35-150 / 2-66	35-150 / 2-66
Plumbing Connection Provided	1"	1"
Electrical Requirement, 120V, 50/60Hz, (24V DC, 500 mA, power supply included)		

<sup>1</sup>Intermittent flow rate does not represent the maximum service flow rate used for determining the refiner's rated capacity and efficiency. Continuous operation at flow rates greater than the certified flow rate may affect capacity and efficiency performance. The validity of these flow rates is verified by NSF. <sup>2</sup>When operated at 35 psi water pressure. <sup>3</sup>Maximum pressure for Canadian use is 7.0 Kg/cm<sup>2</sup>.

<sup>4</sup>Typical residential chlorine concentration is 0.5 to 1.0 ppm. <sup>5</sup>From independent laboratory test data.

### WARRANTY

- For the lifetime of the original owner, the media will be free of defects in materials and workmanship, and to reduce chlorine taste and odor from a municipal water supply.
- For the lifetime of the original owner, the salt tank and mineral tank will not rust, corrode, leak, burst, or in any other manner fail to perform their proper functions.
- For a period of ten years, the valve body will be free of defects in materials and workmanship and will perform its proper function.
- For a period of seven years, the electronic faceplate will be free of defects in materials and workmanship and will perform its normal function.
- For a period of five years, all other parts, will be free of defects in materials and workmanship and will perform their normal functions.



MS2



**Mixed Sources**  
Product group from well-managed forests, controlled sources and recycled wood or fiber  
www.fsc.org Cert no. XXX-XXX-000  
© 1996 Forest Stewardship Council



**EcoWater Systems LLC**  
P.O. Box 64420  
St. Paul, MN 55164-0420